

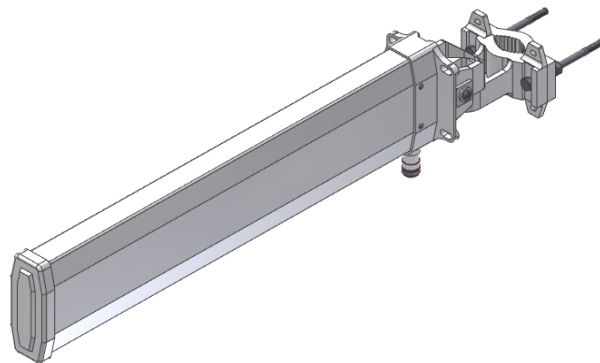
# ISM YAGI Antenna

2577 ~ 2607 MHz / 12 dBi

## ISM-SEYG-13

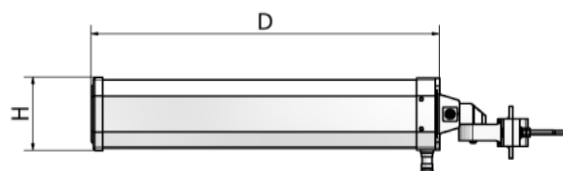
### i. Electrical Specification

Frequency Range	2577 ~ 2607 MHz	
Polarization	Vertical	
Band Width	30 MHz	
Gain	≥ 13 dBi	
Beam width	Horizontal	≥ 30°
	Vertical	≥ 30°
Swing width	Horizontal	± 90°
	Vertical	+ 90° / -30°
F-B ratio	≥ 15 dB	
VSWR	1 : 1.5	
Impedance	50 Ω	
Maximum input power	50 W	

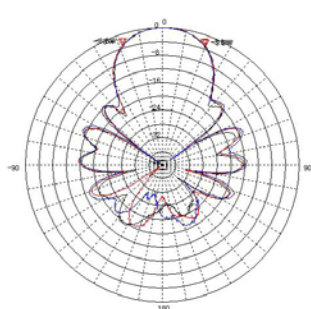


### ii. Mechanical Specification

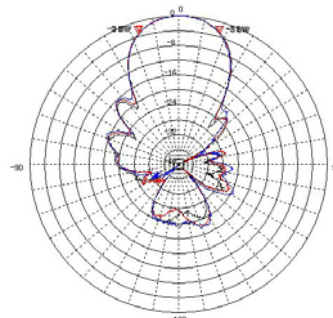
Radom Dimension ( H x W x D )	110 x 43 x 430 (mm)	
Weight ( Include bracket )	≤ 1.4 kg	
Connector Type	N-Female	
Withstand Wind Pressure	60 m/sec	
Radome Material	ASA	
Radome Color	Cool Gray 1C	
Mechanical Down Tilt	Up, Down ± 30°	
	Left, Right ± 30°	
Temperature	-40 °C ~ 70 °C	
Packing Size ( H x W x D ) 10SET	-	
Packing Weight 10SET	-	



### iii. Radiation Pattern



Horizontal Pattern



Vertical Pattern